

eBMS IoT Gateway



4G: EG001100P4G01









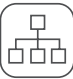
Description:

- eBMS / IoT Gateway is an official Tridium portability device for IoT deployments, smart building control and Edge to cloud analytics. The Gateway comprises a complete set of wireless and wired interfaces. It provides easy integration and powerful interfaces based on Tridium Niagara 4.
- Integrated cellular 4G / 3G / 2G or easy connection to the cloud connection, off site reporting and remote connectivity.
- Niagara 4 loaded for full control & iBMS functionality
- 1x Ethernet, 1x RS232 & 1x RS485 connectivity
- Din rail mounting and compact size


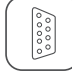
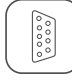



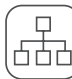
Specification

Connectors	1x Ethernet 1x RS485 2x RS23	ARM	ARM cortex-A7 900MHz 512MB DDR3 (up to 1GB) 4G eMMC Flash Debian 9 with custom BACnet compatible kernel.
DC Input	LTE 5 Bands (700, 800, 900, 1800, 2100MHz) 2Band HSPA+: 900 & 2100 MHz, 2Band GSM: 900 & 1800 MHz	Niagara 4	N4.10.5 / N412.2 License options for: 100 / 250 / 500 / 1250 Global Capacity Points
DC Input	12-36V DC		12 Months Software Maintenance
Temperature Range	-40°C to 85°C		
Dimensions	112 x 51 x 75mm		
Weight	<500g		

Interfaces

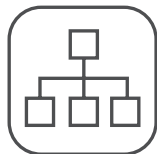
-  4G / 3G / 2G Connections
-  Tridium Niagara 4
Official Portability Device
100 / 300 / 500 / 1250
Point Licenses
-  Simaxx Analytics Ready
-  Optional Node-RED IoT
-  1 x RS485 Ports
-  2 x RS232 Port
-  1 x Ethernet

Connectors

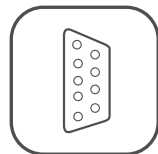
-  2x SMA F Connectors
-  1x DB9 F Connector RS232
-  1x DB9 M Connector RS232
-  Terminal Block Power Connector
-  Terminal Block RS485
-  Micro SIM 1.8V / 3V
-  1 x RJ45: Ethernet



Connections



Ethernet



RS485 / RS232



Niagara 4



Simaxx
Ready



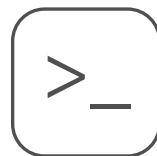
DIN Rail



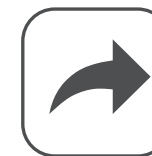
CSD



Linux OS



AT Command



Remote Updates