

## Product Overview

The eBMS/IO range of I/O modules are designed for use as local I/O within motor control cabinets or as remote I/O connected via TCP or RS485 Modbus.

The eBMS/IO 10DI module supports 10 independent digital inputs with input voltages up to 24v ac or dc. The module also provides a voltage source that can be used for applications using volt-free contacts. Each digital input has a bi-colour LED which indicates the current status of the connected device.

The IP20 rated module may be plugged together with other modules on standard TS35 DIN rail or direct mounting; the cascable design allows power and 2-wire RS485 Modbus communications to connect through without any extra wiring.

Modbus address setting is by rotary switches which are easily accessible underneath the top cover. A bi- colour LED indicates the communications status.

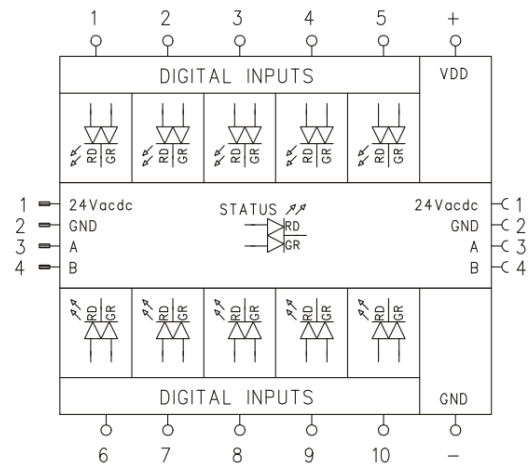
## Connectivity

The 10DI module has one 2-wire RS485 port supporting a Modbus communications network connection to the JACE® controller.

Modules can be networked via TCP, RS485 or mixed networking.

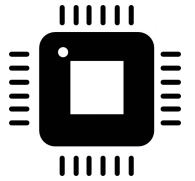
## Engineering

Can be engineered via any system with a Modbus interface. Palette files available for Tridium AX and N4



## Features

- ▶ 10 digital inputs 24v ac or dc
- ▶ DIN rail or direct mounting
- ▶ 24v ac or dc power operation
- ▶ Supports RS485 2-wire Modbus Open Communication network
- ▶ Easy address setting using rotary switches
- ▶ Bi-colour LED for module status information
- ▶ Bi-colour LED status indication per input



## Input data

number of inputs	10
logic '0'	<2v (24v ac / 34v dc)
input resistance	≥6,000Ω

## LED status indication:

per digital input	status inputs – green: on or off alarm inputs – red / green
module status	bi-colour: red / green

## Communications

bus protocol	Modbus RTU
bus interface	RS485, half duplex, non isolated
bus topology	multidrop
bus speed	19200 bps
bus line termination	integrated termination and biasing resistors

## General

module power supply	20v to 28v ac or dc
module current	275ma ac or 110ma dc
operating temperature range	0°C to +50°C
CE marking	EMC directive 2004/108/EC according requirements of EN 55011 and EN 61326-1
mounting	DIN-rail TS35 (35mm x 7.5mm) or direct mounting by M3 fixing
assembly	up to 15 in a row with zero spacing
module size (l x w x h-TS35 / direct)	53mm x 95mm x 60mm / 58mm
insulating material / flammability class	Housing: Noryl. Terminals: Polyamid 6.6 V0 / UL94-V0
protection degree (DIN 40050)	IP 20